

Mining with *Water*

Rock Hydro-Fracturing Systems
increase your mining production



Rock-Hydro Fracturing • 1000 H.P. Jet Boring • Up to 50,000 psi
Grout Plants, Mixers & Pumps • Up to 10,000 psi

Innovative Technology

ConMICO's latest development project is a hydro-rock fracturing machine to meet the high production mining requirement for block caving pre-conditioning applications.

ConMICO develops and manufactures high pressure water jet systems up to 55,000 psi (380 MPa) and up to 1200 H.P. for applications including jet boring, underground hydraulic power units, coating removal, de-scaling and cutting.

ConMICO also specializes in custom-made durable, lightweight grouting and cement injection plants for use in soil consolidation, jet-grouting to 10,000 psi, pile formation, tunnel forming and repairs, forming water curtains, back filling and grouting of cracks in tunnels and mine shafts.

For grouting systems, ConMICO manufactures high speed colloidal mixers, double drum mixers, agitators, as well as accessories including packers, valves and high pressure fittings.

Shotcrete and concrete pumps are also available.



400 H.P. Rock Fracturing Rig Codelco,
El Teniente Division, Chile

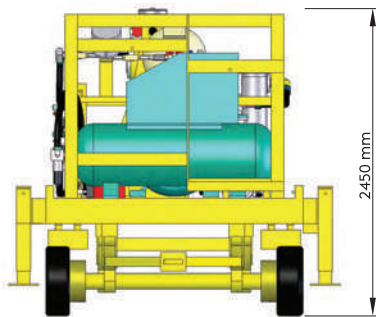


Hydro Fracturing Machine

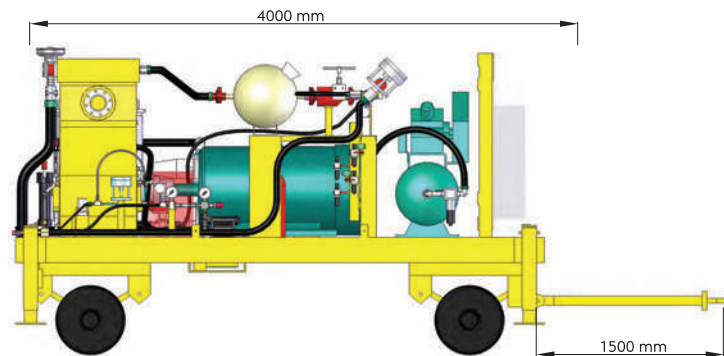
Our 400 H.P. and 700 H.P. Portable AQUA-FRAC™ hydro-fracturing rigs with their low profile are suitable for use in small tunnel applications.

With all the electrical hardware and computer systems on board, AQUA-FRAC™ rigs are self-contained systems that only require the operator to supply electrical power.

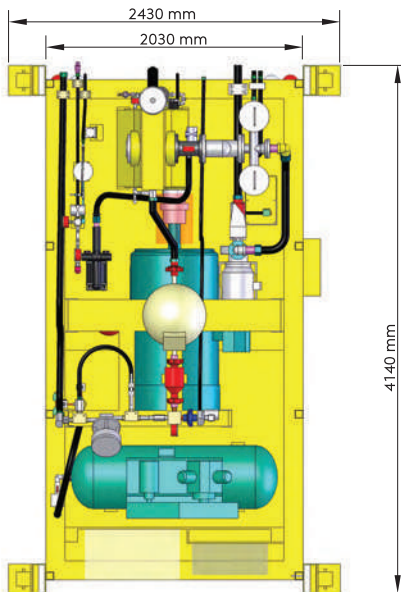
Front View



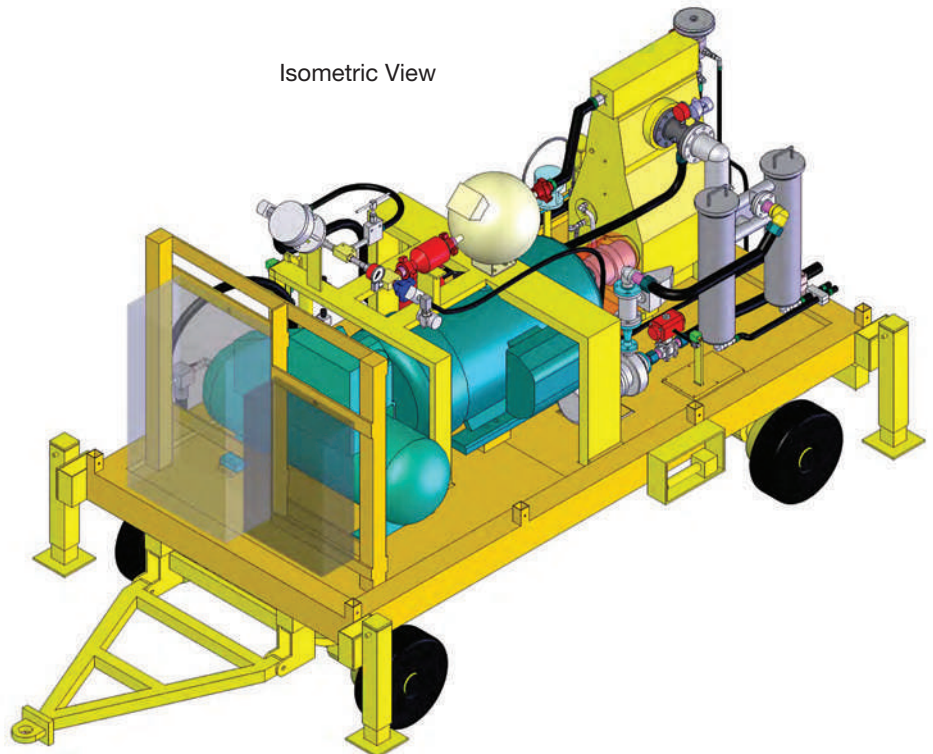
Side View



Top View



Isometric View



Hydro Fracturing System for Block Caving

Hydro Fracturing has typically been used as a method of improving the yield of various wells by opening and flushing out previously closed fractures with high Pressure water.

This same process can be used for pre-conditioning mining or before blasting to double the yield with less dynamite. The hard rock is de-stressed which lends this method to the Block Caving Method. Block caving is a low cost, underground mining technique that also supports economic mining of lower grade deposits.

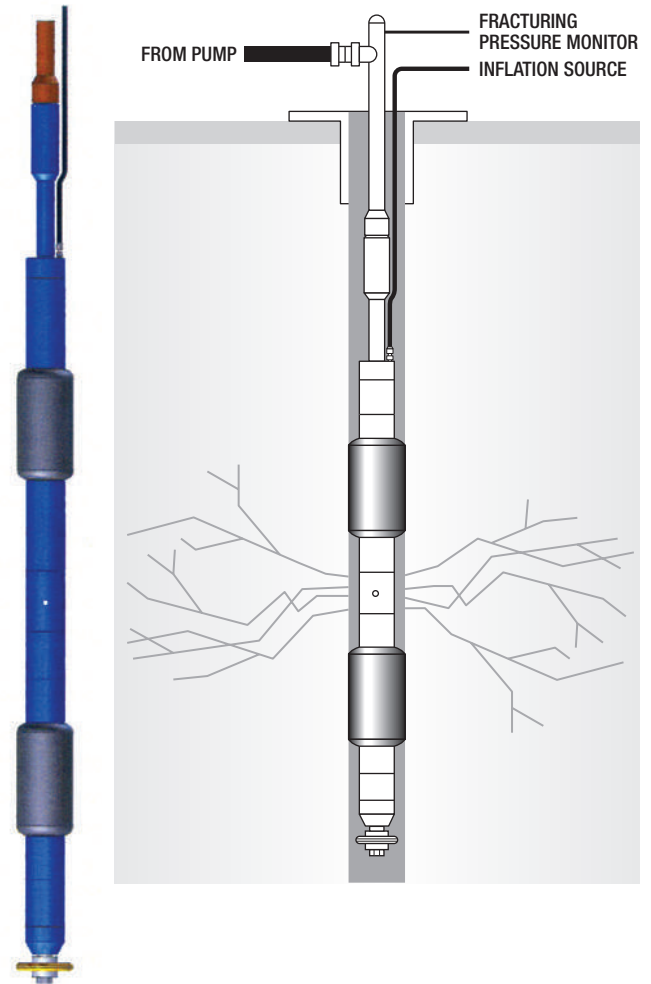
Conmico currently manufactures three AQUA-FRAC™ Models of automated electrically powered portable Hydro Fracturing Machines.

AQUA-FRAC™ Model RHP-350 266L/min @ 51 Mpa
(66 gpm @ 7000psi)

AQUA-FRAC™ Model RHP-400 295L/min @ 56 Mpa
(78 gpm @ 8,100psi)

AQUA-FRAC™ Model RHP-700 377L/min @ 72 Mpa
(100 gpm @ 10,400psi)

The versatility and compactness of the ConMico units lend themselves to be easily moved around mine tunnels with great ease.



APPLICATIONS

- Hydraulic pre-conditioning block caving

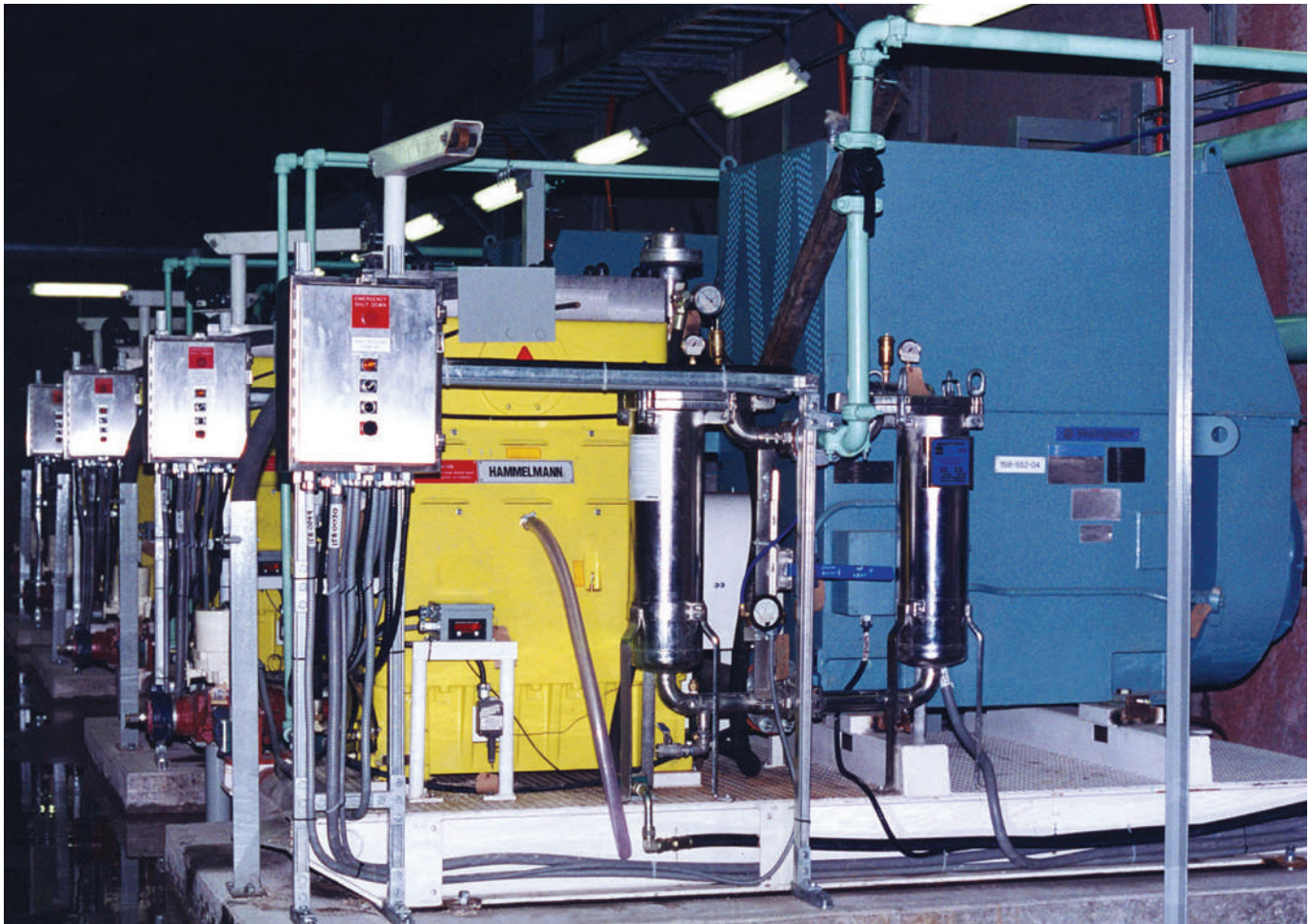
FEATURES

- For 70 mm (for NQ) and 89 mm (for HQ) diameters
- Pressures up to 12,000 psi (850 bar)
- Choice of injection sub formats

Jet Boring High Pressure Water System

Mining uranium ore with high pressure water produces a slurry that can be readily transported by pipeline.

This cost effective method of pumping slurry away from the mining operation provides complete dust elimination and reduces manpower requirements.



800 H.P. Jet Boring High Pressure Water System Cigar Lake, Saskatchewan, Canada