

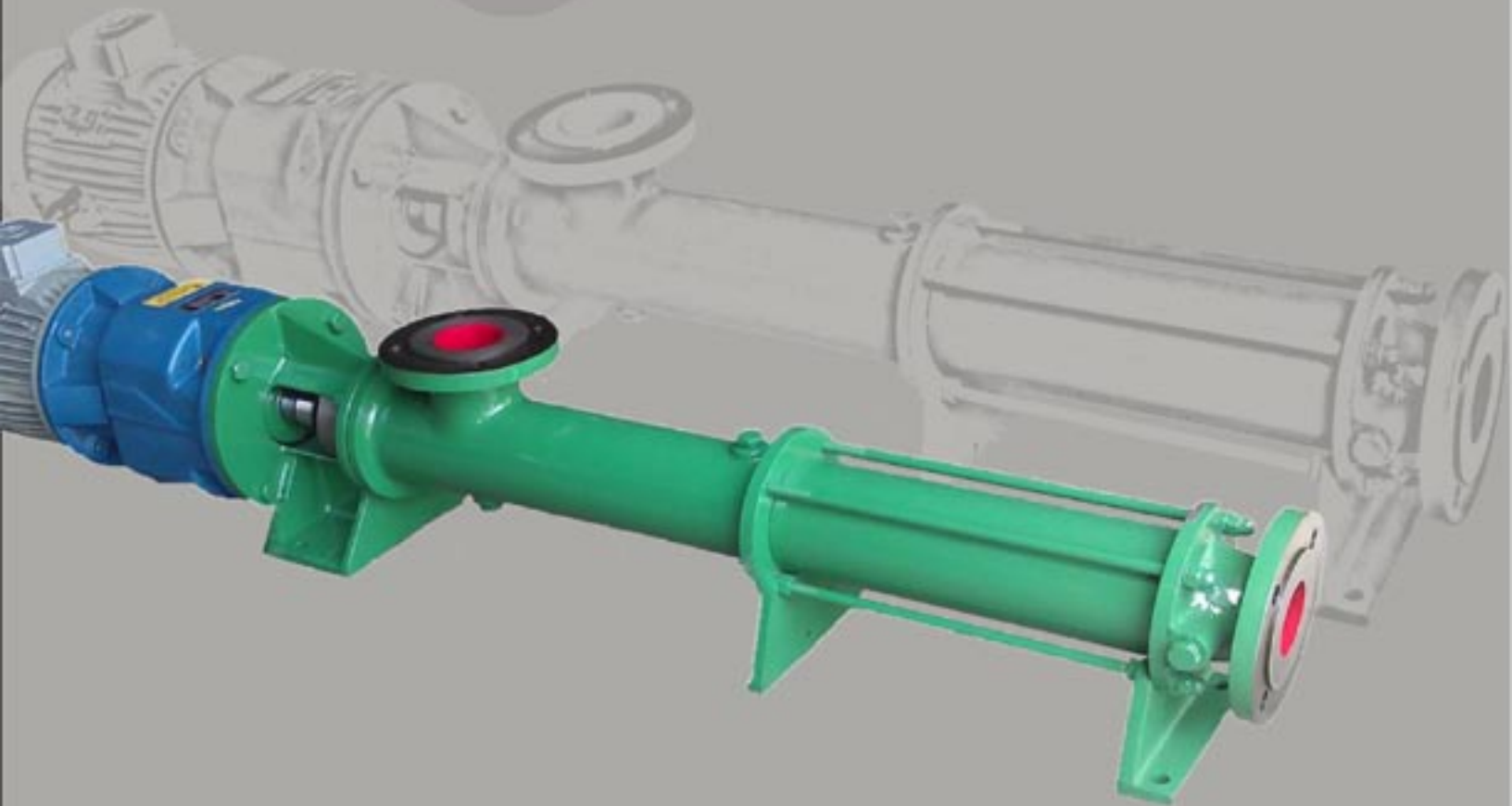
# ROTOMAC™

PROGRESSIVE CAVITY PUMPS

COMPACT

PRECISE

DURABLE



Standard Close Coupled Pump

# ROTOMAC™

## A Reliable Solution at an Affordable Price

ROTOMAC brings together its proven technology, engineering expertise, and its quality manufacturing to offer you its Standard Close Coupled Pumps 'SD'/'WD' Range of Progressive Cavity Pumps. This reliable series finds itself ideal for a wide variety of applications where cost effectiveness is paramount & availability of installation space is limited.

'SD'/'WD' Standard Close coupled Pumps offer several value added benefits:

### Cost Efficient

'SD'/'WD' Range's modular design consists of a minimal number of easily maintained components in comparison to the Bareshaft design, this reduces the number of replaceable parts, which reduce the maintenance cost as well. For our customers, this guarantees a lower initial investment cost as well as reduced maintenance expenses.

### Ease of installation

The Close Coupled Design minimises the floor space area requirements. These pumps are perfect for installations with space constraints.

### Low Maintenance

The 'SD' Range has a minimal number of parts in the rotating assembly, which reduces the cost of replacement spares to a bare minimum. The modular design also facilitates a quick and easy disassembly and assembly for routine maintenance.

ROTOMAC™ Progressive Cavity Pumps are manufactured to the highest quality standards, these pumps also offer the following salient features:

- Low shear rate : less damage to shear sensitive products
- Non-pulsating flow resulting in product consistency and uniformly metered delivery
- High volumetric, electrical and mechanical efficiencies promise power consumption savings
- Flow rate is proportional to the pump speed ensuring constant and reliable output
- Capability to handle high viscosities and high solid content
- Low NPSH (r) allows the pump to handle high suction lifts also work in high vacuum conditions

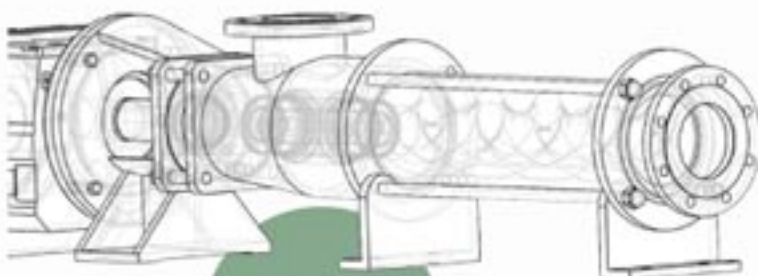


### Capabilities

- Capacities up to 420 M<sup>3</sup>/Hr (1840 USGPM)
- Handles pressures up to 36 Bar ( 520 psi)
- Handles high solid content and high viscous media with ease.

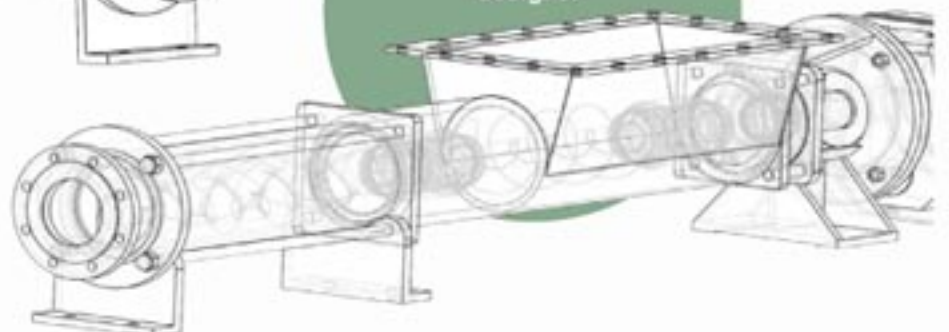
### Applications

- Agriculture •Malt & Cocoa •Brewery & Distillery •Mining
- Ceramics & Refractory •Oil Exploration •Cattle feed
- Paints & Varnish •Chemical and processes •Palm Oil
- Construction •Paper pulp and Cellulose •Cosmetics and toiletries
- Petrochemical & Refinery •Edible oil •Printing Ink
- Effluent treatment •Rubber •Electronics •Sewage Treatment
- Explosives •Soaps & Detergents •Fertilizer
- Starch •Fisheries •Steel •Man-made Fibres •Sugar •Marine
- Textiles •Waste Water Treatment



Space Saving Installation

Upto 35% lower initial investment maintenance costs compared to other designs.

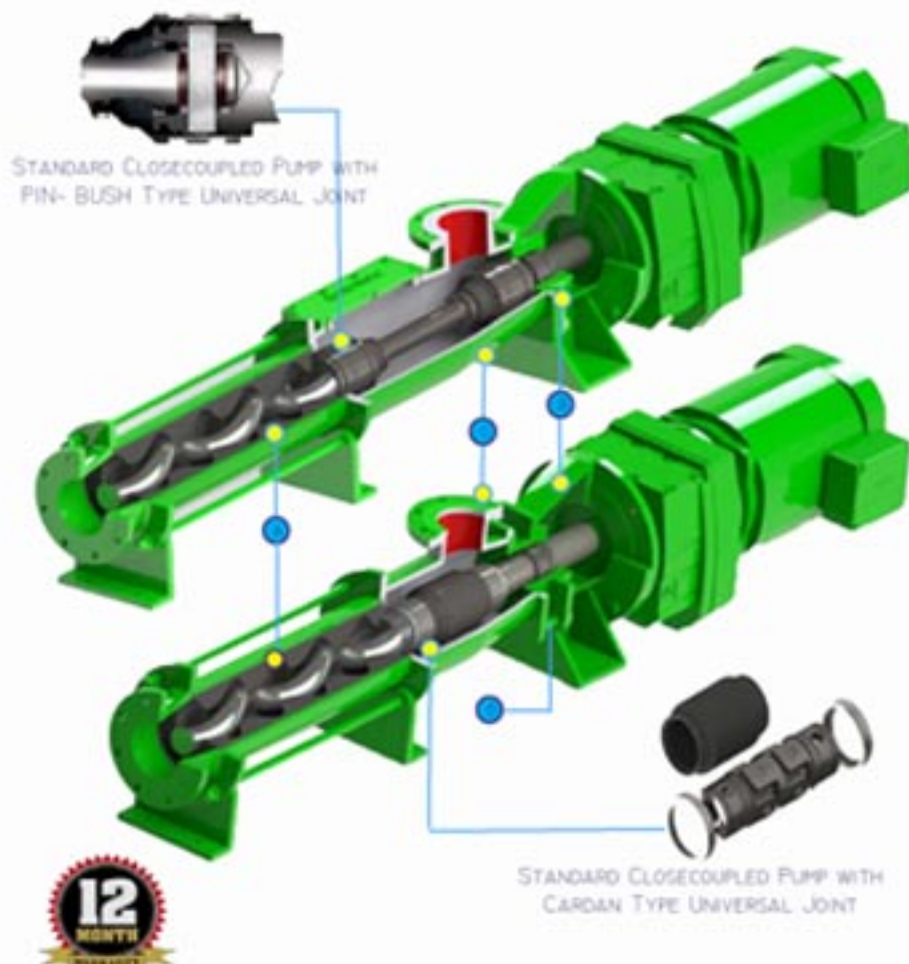


## Pin Type Universal Joint

- Proven design
- Economical replacement cost
- Totally sealed oil lubricated joints
- Easy maintenance due to minimal parts

## Cardan Type Universal Joint The 'Cardan' Advantage

- Designed for the most demanding and arduous applications.
- Robust and heavy duty construction minimises breakdown and saves downtime cost.
- Totally sealed oil lubricated joint.
- 12 Months Warranty\*
- Designed with 2 perpendicular pins which gives it freedom of movement thereby giving a smoother transmission of loads.
- Cardan joints can withstand higher forces compared to conventional Pin Joint designs.



## Material Options

### WETTABLE HOUSING COMPONENTS:

- Cast Iron, Cast Stainless Steel, Fabricated Steel, Fabricated Stainless Steel, Duplex SS, Monel Alloy, Hastelloy B/C

### STATOR POLYMERS:

- Natural, Nitrile, High Nitrile, EPDM, Chloro-Sulphonated Rubber(Hypalon), Fluoroelastomer, Silicone,HNBR

### ROTOR:

- Tool Steel, Case Hardened Steel, Alloy Steel, Stainless Steel 410/420/304/316/316L, Duplex SS, Monel alloy, Hastelloy B/C

### ROTOR COATING FOR SPECIAL APPLICATIONS:

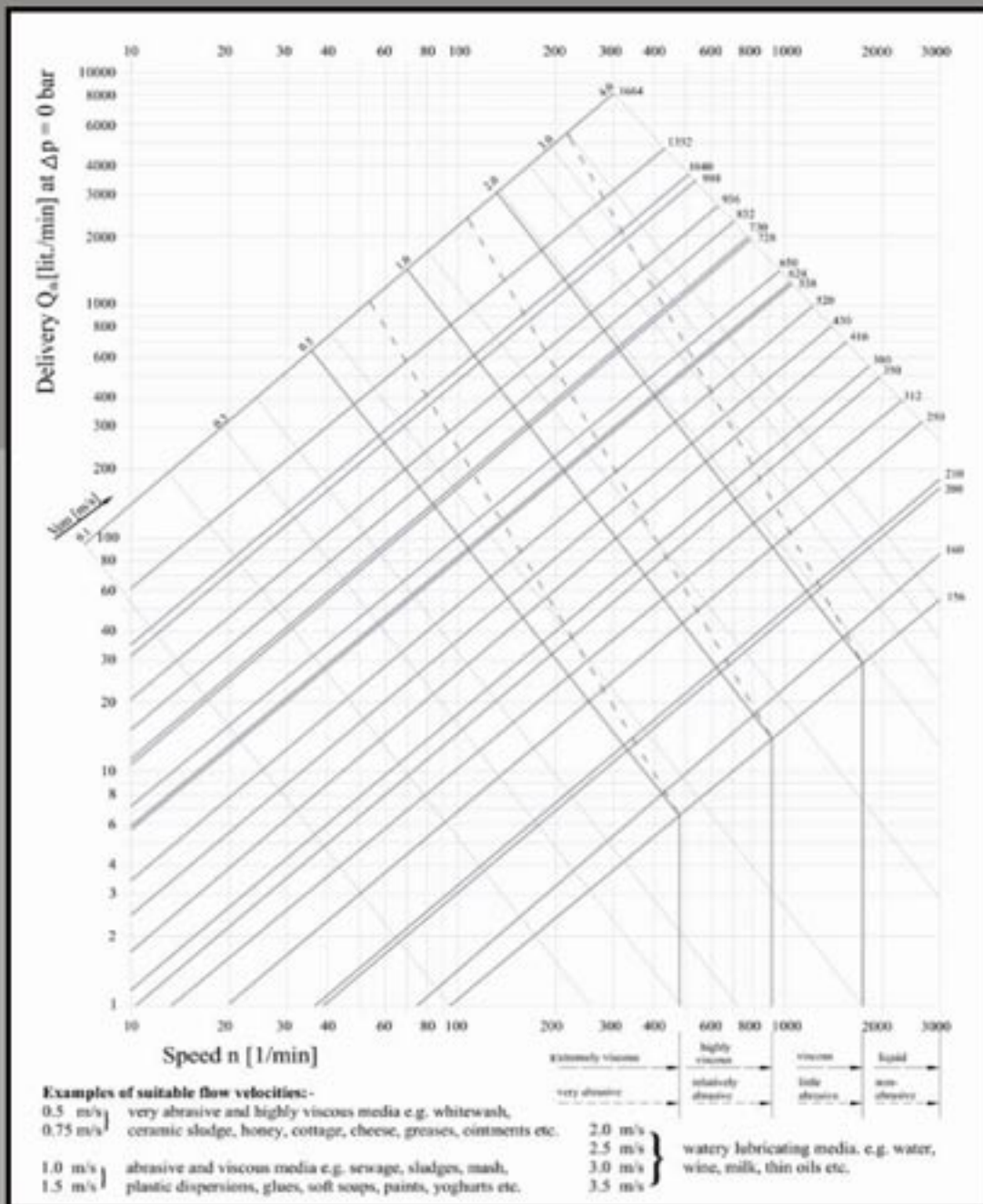
- Hard Chrome Plating
- Ceramic Coatings \*\*

\* Please Contact ROTOMAC for detailed information

\*\* Special materials except the ones listed above can be requested while submitting RFQ's

## Features

- 1 Optimised Rotor-Stator Geometry
  - Reduced wear due to low rubbing velocity in improved geometry
  - Zero Leakage sealing line and lower starting torque requirements
- 2 Pump-Motor Lantern
  - Facilitates coupling with various flange mounted prime movers according to IEC, NEMA and other globally accepted standards
  - Reduces the installation space requirement
  - Quick and Easy assembly and disassembly
- 3 Flexible Suction Housing
  - Smart Design enable flexibility in suction position ,the housing can be in rotated in 90° intervals to suit any installation
  - Provision of drain ports for ease of maintenance
- 4 Smart Shaft Sealing
  - Externally mounted stuffing Box in the cardan joint version , allows for easy maintenance of the gland packing and mechanical seal without disassembly of the bearing housing



**Note:**

- \* The above data should be used for estimating the pump size only, contact ROTOMAC with complete application details for exact limits of operation and quotation.
- \* Pumps to handle pressures of 24 Bar (350 psi) are available in selected sizes only, contact ROTOMAC for detailed information.
- \* Pumps with Wide Throat & feed auger are also available for media with high viscosity & solid content.
- \* Pumps can be installed vertically when installation space is limited.
- \* Dimensional drawings for the pumps can be made available of request.

